

OVERBOARD VALVE
SPRING LOADED
GGG 40.3/RG5/ST. STEEL



FAK-ARMATUREN Hamburg
 Valve supplier for industry and shipbuilding

* Flanged ends acc.to DIN EN 1092-2 PN 10/16 (DIN 2501)

* Face to face acc.to DIN EN 558-1 (DIN 3202 F1-F32)

* Body Nominal Pressure : (120°C)

DN 15 - DN 175 = 16 bar

DN 200 - DN 300 = 10 bar

DN 350 - DN 400 = 6 bar

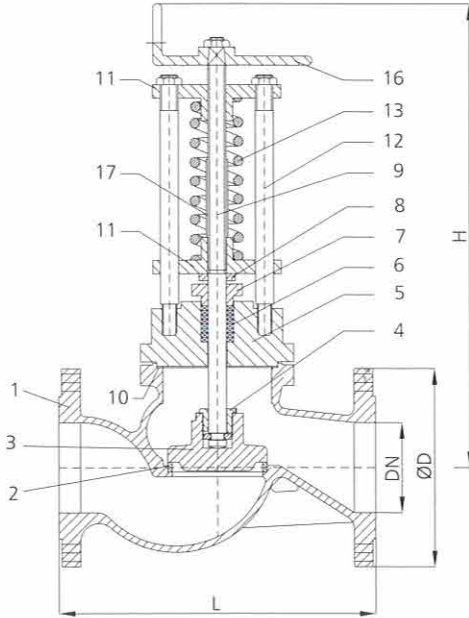


Fig. 1 Straight type

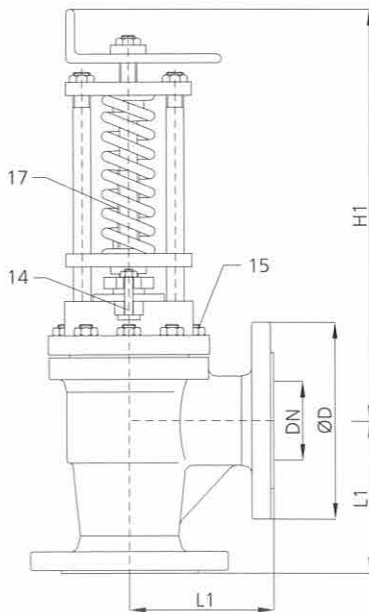


Fig. 2 Angled type

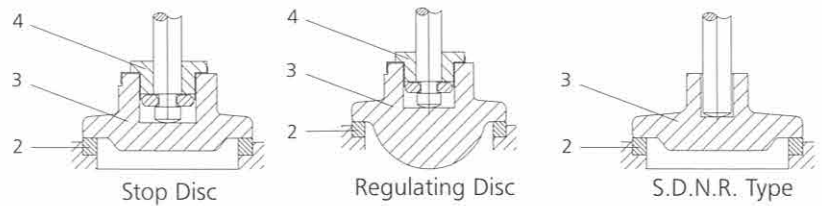
* Materials

Fig.1	01 273 22 ...	01 273 21 ...
Fig.2	01 274 22 ...	01 274 21 ...

No.	Part Name	GGG 40.3/Rg5	GGG 40.3/St.Steel
1	Body	GGG 40.3	GGG 40.3
2	Seat	G-CuSn5ZnPb	X5 CrNi 18 9
3	Disc (<=50)	G-CuSn5ZnPb	X5 CrNi 18 9
	Disc (>65)	GGG 40.3	GGG 40.3
	Disc Surface	G-CuSn5ZnPb	X5 CrNi 18 9
4	Disc Nut	G-CuSn5ZnPb	X5 CrNi 18 9
5	Bonnet	GGG 40.3	GGG 40.3
6	Packing	Graphite	Graphite
7	Gland	GGG 40.3	GGG 40.3
8	Set Screw	G-CuSn5ZnPb	G-CuSn5ZnPb
9	Spindle	CuZn35Ni	X5 CrNi 18 9
10	Gasket	Carbo (Asbestos Free)	Carbo (Asbestos Free)
11	Gland (Spring)	GGG 40.3	GGG 40.3
12	Column Spindle	Steel	Steel
13	Spring	Spring Steel	Spring Steel
14	T-Stud , Nut	Steel	Steel
15	Stud , Nut	Steel	Steel
16	Handwheel	GG 25	GG 25
17	Pipe	St.Steel	St.Steel

* Application :Especially as discharge valve for sea cooling water and bilge water systems adjustable opening pressure is set to 0.1-0.5 bar.

* On request : with indicator



PN	DN	15	20	25	32	40	50	65	80	100	125	150	175	200	250	300	350	400
	L	130	150	160	180	200	230	290	310	350	400	480	550	600	730	850	980	1100
	L1	90	95	100	105	115	125	145	155	175	200	225	250	275	325	375	425	475
10	ØD	95	105	115	140	150	165	185	200	220	250	285	315	340	395	445	505	565
16	ØD	95	105	115	140	150	165	185	200	220	250	285	315	340	405	460	520	580
	H	255	255	270	270	350	370	397	445	515	645	700	800	800	1010	1050	1130	1170
	H1	245	245	255	255	335	350	380	415	475	595	625	715	720	925	930	1130	1060
kg	Fig. 1	4.3	5	6	7.6	10	14	19	23.6	36	58	74	138	152	252.5	328.5	385	408
kg	Fig. 2	4.5	5.2	6	7.4	10.2	12.3	15	21.8	32.2	50	66.2	94	108	187	277	392	445