

# SELF-CLOSING VALVE

## SPRING LOADED

### GGG 40.3/ST. STEEL



FAK-ARMATUREN Hamburg  
Valve supplier for industry and shipbuilding

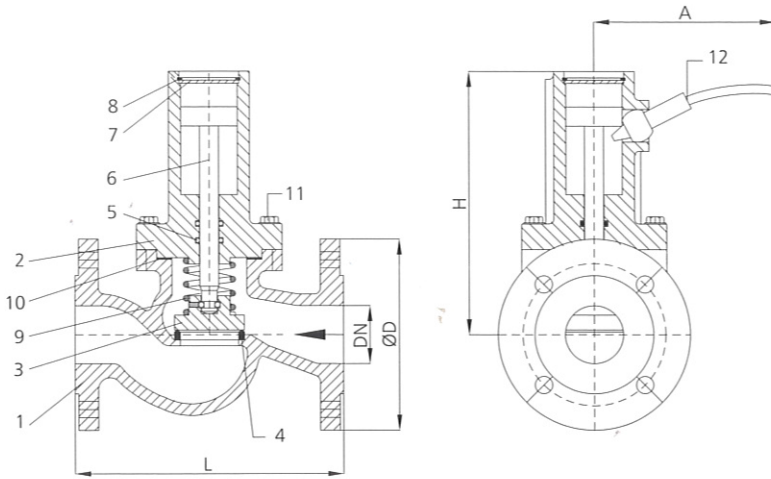


Fig. 1 Straight type

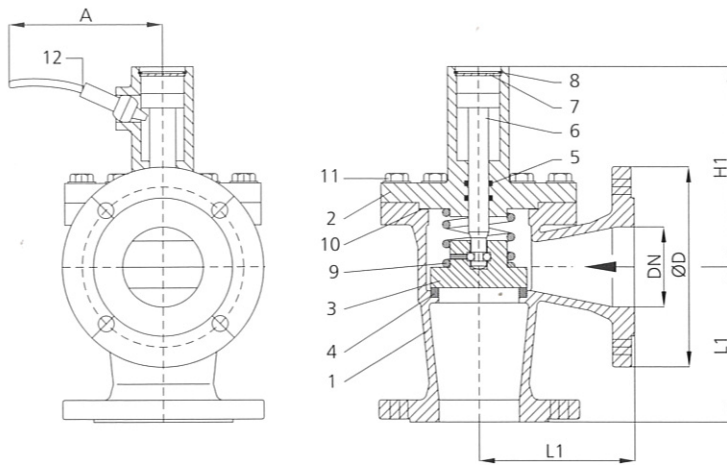


Fig. 2 Angled type

\* Flanged ends acc.to DIN EN 1092-2 PN 16 (DIN 2501)

\* Face to face acc.to DIN EN 558-1 (DIN 3202 F1-F32)

\* Operation Mode : Manual

\* Operating temperature up to 180°C

\* Nominal Pressure : ( 120°C )

DN 15 - DN 65 = 16 bar

\* Materials

Fig.1	01 610 21 ...
Fig.2	01 611 21 ...

No.	Part Name	GGG 40.3 / st. steel
1	Body	GGG 40.3
2	Bonnet	GGG 40.3
3	Disc	X 5 CrNi 18 9
4	Seat	X 5 CrNi 18 9
5	O-ring	Viton
6	Spindle	X 5 CrNi 18 9
7	Washer	X 5 CrNi 18 9
8	Segment	Standard
9	Spring	Spring Steel
10	Gasket	Carbo (Asbestos Free)
11	Bolt & Nut	Steel
12	Handlever	X 5 CrNi 18 9

\* Application : For different kinds of liquids,  
mainly oil, diesel oil and water.

DN	15	20	25	32	40	50	65
L	130	150	160	180	200	230	290
L1	90	95	100	105	115	125	145
ØD	95	105	115	140	150	165	185
H	110	110	118	118	139	143	155
H1	97	97	102	102	123	127	140
A	125	125	125	125	125	125	125
kg Fig. 1	5.8	6.7	6.8	9.2	14.2	15.5	19
kg Fig. 2	5.3	6.2	6.2	8.4	13	14.2	18