

FIRE VALVE BRONZE /RG5



FAK-ARMATUREN Hamburg
Valve supplier for industry and shipbuilding

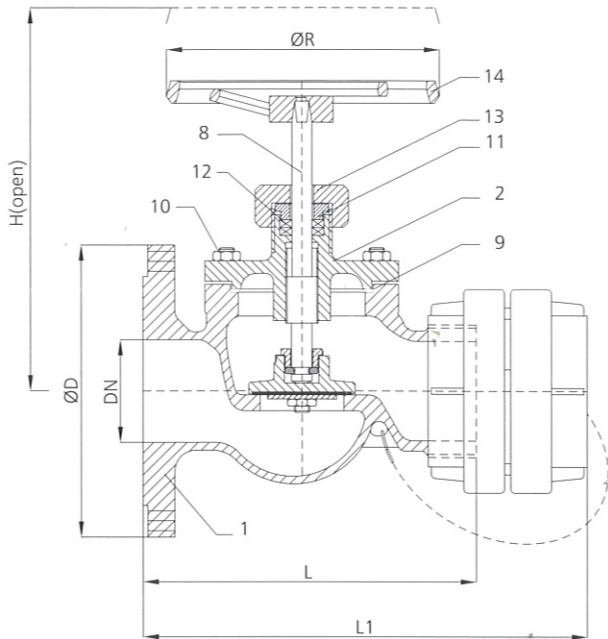


Fig. 1 Straight type

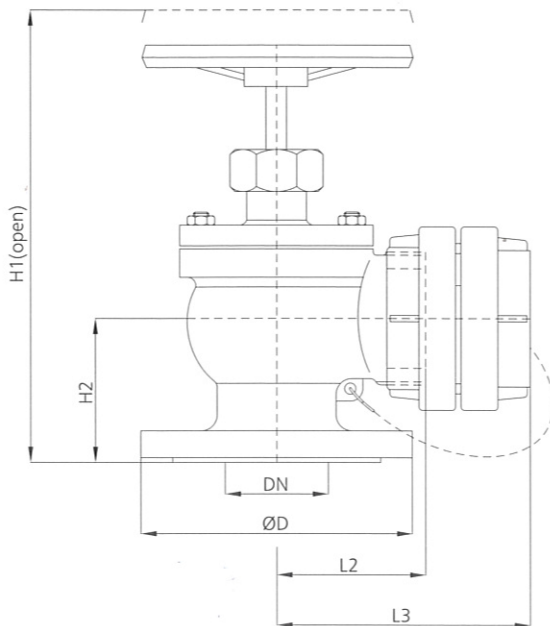


Fig. 2 Angled type

* Flanged ends acc.to DIN EN 1092-2 PN 16 (DIN 2501)

* Nominal Pressure : (90°C)

DN 40 - DN 65 = 16 bar

* The fire valves can be supplied without storz couplings on request.

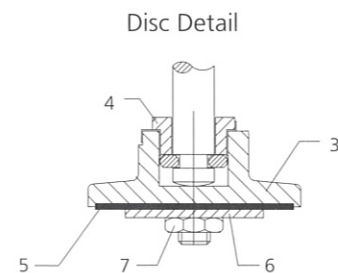
* Materials

Fig.1	01 700 70 ...
Fig.2	01 702 70 ...

No.	Part Name	Bronze (Rg5)
1	Body	G-CuSn5ZnPb
2	Bonnet	G-CuSn5ZnPb
3	Disc	G-CuSn5ZnPb
4	Disc Nut	G-CuSn5ZnPb
5	Disc Ring	EPDM
6	Disc Ring Holder	G-CuSn5ZnPb
7	Bolt	St. Steel
8	Stem	CuZn35Ni
9	Gasket	Carbo (Asbestos Free)
10	Stud & Nut	St. Steel
11	Gland	G-CuSn5ZnPb
12	Packing	Graphite
13	Packing Nut	CuZn39Pb3
14	Handwheel	GG 25

* Application :

Cold, hot and fresh water, seawater up to 90°C



DN	ØD	L	L1	L2	L3	H (Open)	H1 (Open)	H2	ØR	kg Fig. 1	kg Fig. 2
40	150	150	215	75	137	170	215	75	125	8.4	8
50	165	165	230	75	137	170	215	75	125	8	9.5
65	185	200	275	95	167	190	265	95	155	12	12.8