



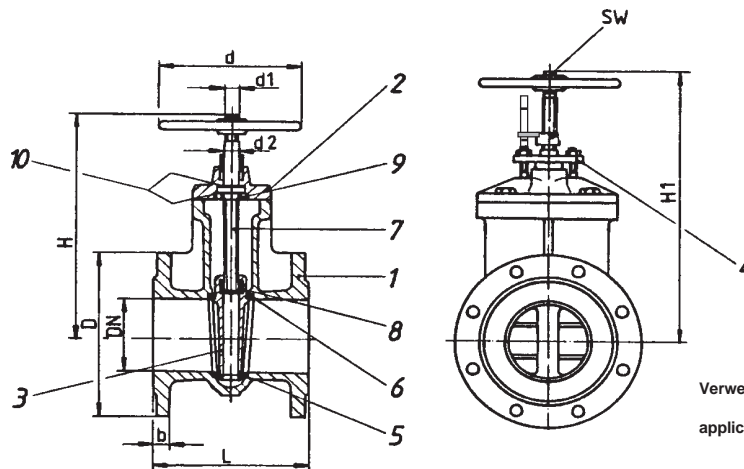
# FAK-ARMATUREN GmbH

Keilflachschieber aus Sphäroguß - Rg, mit Anzeiger  
DN 40 - 1000 / PN 10 , DIN 3352 (alte DIN 86702)

gate valve of nodular cast iron - bronze, with indicator  
DN 40 - 1000 / PN 10 , DIN 3352 (old DIN 86702)

| Teil Part | Bezeichnung Partname             | Werkstoff Material                  | Werkst.Nr. Mat.No. |
|-----------|----------------------------------|-------------------------------------|--------------------|
| 1         | Gehäuse body                     | GGG 40.3/nod. c.i.                  | 0.7043             |
| 2         | Deckel bonnet                    | GGG 40.3/nod.c.i.                   | 0.7043             |
| 3         | Keil wedge                       | DN <= 100 : Rg<br>DN > 100 : GGG 50 | 0.6050             |
| 4         | Stopfbuchsbrille flange of gland | GGG 40.3/nod.c.i.                   | 0.7043             |
| 5         | Sitzring / Keil valve seating    | Cu Sn 5 Zn Pb                       | 2.1096             |
| 6         | Sitzring / Gehäuse valve seating | Cu Sn 5 Zn Pb                       | 2.1096             |

| Teil Part | Bezeichnung Partname           | Werkstoff Material | Werkst.Nr. Mat.No. |
|-----------|--------------------------------|--------------------|--------------------|
| 7         | Spindel spindle                | Cu Zn 39 Pb 3      | 2.0380             |
| 8         | Keilmutter wedge - nut         | Ms / brass         | 2.0401             |
| 9         | Spindelhalter spindle securing | Cu Sn 5 Zn Pb      | 2.1096             |
| 10        | Scheibe disc                   | PTFE verst.        |                    |
|           |                                |                    |                    |
|           |                                |                    |                    |



Verwendung : Frischwasser , Seewasser , Schmieröl , Treiböl , Dampf

application : freshwater , seawater , lubricating oil , fuel oil , steam

| DN  | L   | ca.H | D   | b  | d 1 | kg  |  | k x n x d     |  | PN  | Art.-Nr.   |
|-----|-----|------|-----|----|-----|-----|--|---------------|--|-----|------------|
| 40  | 140 | 265  | 150 | 18 | 160 | 11  |  | 110 x 4 x 18  |  | 10  | 0210022040 |
| 50  | 150 | 270  | 165 | 20 | 160 | 12  |  | 125 x 4 x 18  |  |     | 0210022050 |
| 65  | 170 | 295  | 185 | 20 | 160 | 17  |  | 145 x 4 x 18  |  |     | 0210022065 |
| 80  | 180 | 325  | 200 | 22 | 160 | 20  |  | 160 x 8 x 18  |  |     | 0210022080 |
| 100 | 190 | 365  | 220 | 22 | 200 | 25  |  | 180 x 8 x 18  |  |     | 0210022100 |
| 125 | 200 | 440  | 250 | 24 | 250 | 39  |  | 210 x 8 x 18  |  |     | 0210022125 |
| 150 | 210 | 490  | 285 | 24 | 250 | 49  |  | 240 x 8 x 22  |  |     | 0210022150 |
| 200 | 230 | 610  | 340 | 26 | 250 | 76  |  | 295 x 8 x 22  |  | 6   | 0210022200 |
| 250 | 250 | 730  | 395 | 28 | 315 | 116 |  | 350 x 12 x 22 |  |     | 0210022250 |
| 300 | 270 | 850  | 445 | 28 | 315 | 156 |  | 400 x 12 x 22 |  |     | 0210022300 |
| 350 | 290 | 950  | 505 | 30 | 400 | 190 |  | 460 x 12 x 22 |  | 4   | 0210022350 |
| 400 | 310 | 1025 | 565 | 32 | 400 | 241 |  | 515 x 16 x 26 |  |     | 0210022400 |
| 500 | 350 | 1280 | 670 | 34 | 500 | 382 |  | 620 x 20 x 26 |  |     | 021022500  |
| 600 | 390 | 1475 | 780 | 36 | 500 | 522 |  | 725 x 20 x 30 |  | 2,5 | 0210022600 |