

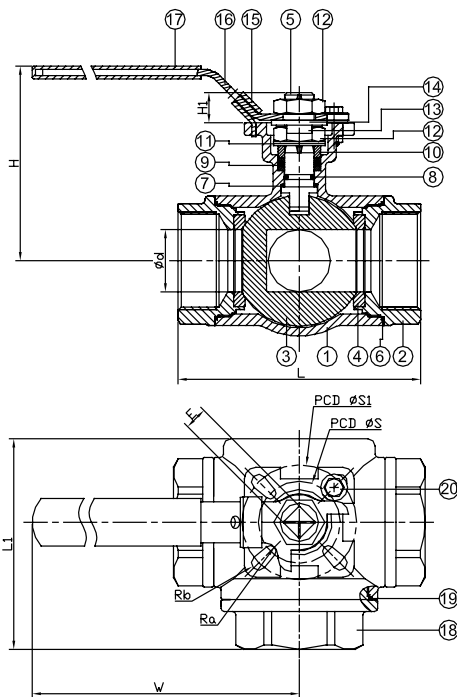
3-WAY SCREWED END BALL VALVE



FAK-ARMATUREN Hamburg
Valve supplier for industry and shipbuilding

ART. NO.	MATERIAL
03 004 63...	ST. STEEL

// TECHNICAL DRAWINGS



// GENERAL FEATURES

- ◆ L port / T port, 1/4" ~ 2" (DN8 ~ DN50)
- ◆ W.P.: 1000 WOG (PN63)
- ◆ W.T.: -20°C ~ 200°C (-4°F ~ 392°F)
- ◆ Investment casting
- ◆ Blow-out proof stem
- ◆ Locking device
- ◆ Anti-static device (option)
- ◆ ISO 5211 Direct mounting pad
- ◆ Automation accessories (option)
- ◆ Thread type: ASME B1.20.1 (NPT)
DIN2999 & BS21
ISO7/1 & EN10226

// MATERIAL SPECIFICATIONS

ITEM	PARTS	MATERIAL	
①	BODY	ASTM A351-CF8M	
②	CAP-A		
③	BALL		
④	SEAT	PTFE	
⑤	STEM	AISI 316	
⑥	SEAL-A	PTFE	
⑦	THRUST WASHER	PEEK+PTFE	
⑧	O-RING	VITON	
⑨	PACKING	PTFE	
⑩	GLAND	AISI 304	
⑪	BELLEVILLE WASHER		
⑫	STEM NUT		
⑬	LOCKING WASHER		
⑭	HANDLE WASHER		
⑮	LOCKING DEVICE		
⑯	HANDLE		
⑰	HANDLE SLEEVE		PVC
⑱	CAP-B		ASTM A351-CF8M
⑲	SEAL-B		PTFE
⑳	STOP PIN	AISI 304	

3-WAY SCREWED END BALL VALVE



FAK-ARMATUREN Hamburg
Valve supplier for industry and shipbuilding

ART. NO.	MATERIAL
03 004 63...	ST. STEEL

// DIMENSIONS

DN	d	L	L1	H	W	S	S1	H1	E	Ra	Rb	Torque (N-M)
8	11.6	76	58.5	73	123	36	42	9	9	3	3	10
10	12.5	76	58.5	73	123	36	42	9	9	3	3	10
15	12.5	76	58.5	73	123	36	42	9	9	3	3	10
20	16	86	72	76	123	36	42	9	9	3	3	15
25	20	99	81.5	87	153	42	50	11	11	3	3.5	22
32	25	117	94.5	93	153	42	50	11	11	3	3.5	30
40	32	124	104	110	183	50	70	14	14	3.5	4.5	47
50	38	148	125	119	183	50	70	14	14	3.5	4.5	58

unit: mm

NPS	d	L	L1	H	W	S	S1	H1	E	Ra	Rb	Torque (in-lb)
1/4"	0.46	2.99	2.3	2.87	4.84	1.42	1.65	0.35	0.35	0.12	0.12	88.5
3/8"	0.49	2.99	2.3	2.87	4.84	1.42	1.65	0.35	0.35	0.12	0.12	88.5
1/2"	0.49	2.99	2.3	2.87	4.84	1.42	1.65	0.35	0.35	0.12	0.12	88.5
3/4"	0.63	3.39	2.83	2.99	4.84	1.42	1.65	0.35	0.35	0.12	0.12	132.8
1"	0.79	3.9	3.21	3.43	6.02	1.65	1.97	0.43	0.43	0.12	0.14	194.7
1-1/4"	0.98	4.61	3.72	3.66	6.02	1.65	1.97	0.43	0.43	0.12	0.14	265.5
1-1/2"	1.26	4.88	4.09	4.33	7.2	1.97	2.76	0.55	0.55	0.14	0.18	416
2"	1.5	5.83	4.92	4.69	7.2	1.97	2.76	0.55	0.55	0.14	0.18	513.3

unit: in