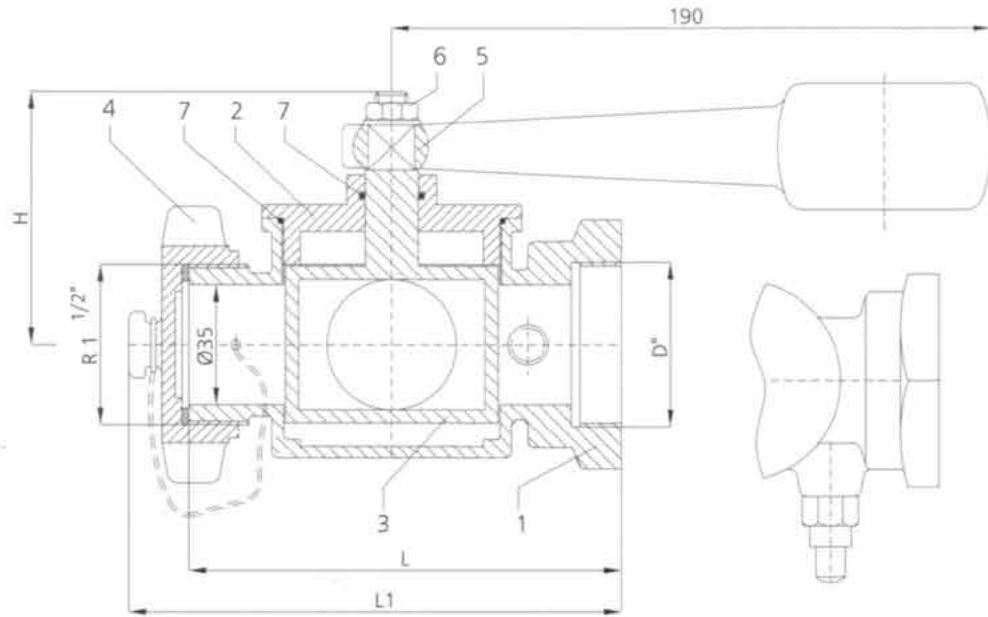


SOUNDING COCK

ART. NO.	MATERIAL
0380070...	BRONZE (RG5)



FAK-ARMATUREN Hamburg
Valve supplier for industry and shipbuilding



* Nominal Pressure Of The Valve Body :

DN 32 - DN 50 = 2.5 bar

* Working temperature up to Max. 80°C

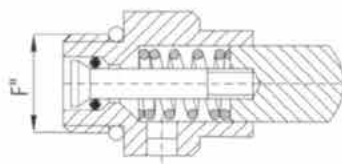
* Özval sounding cocks are provided with a brass self - closing test valve

* Application :

Sounding cocks are employed as self - closing locking devices for the sounding pipes below the bulk head deck.

* Materials :

No.	Part Name	Bronze (Rg5)
1	Body	G-CuSn5ZnPb
2	Bonnet	G-CuSn5ZnPb
3	Cock	G-CuSn5ZnPb
4	Dust end cap	G-CuSn5ZnPb
5	Handlever	GG 25
6	Nut	Steel
7	O-ring	NBR



Test Valve

DN	D''	L	L1	H	F''	KG 1.032
32	1 1/4"	130	150	85	1/4"	3.5
40	1 1/2"	130	150	85	1/4"	3.6
50	2"	130	150	85	1/4"	3.8