

GLAND COCK BRONZE



FAK-ARMATUREN Hamburg
Valve supplier for industry and shipbuilding

* Flanged ends acc.to DIN EN 1092-2 PN 10 (DIN 2501)

* Face to face acc.to DIN EN 558-1 (DIN 3202 F1)

* Nominal Pressure :

DN 15 - DN 65 = 10 bar

* Materials :

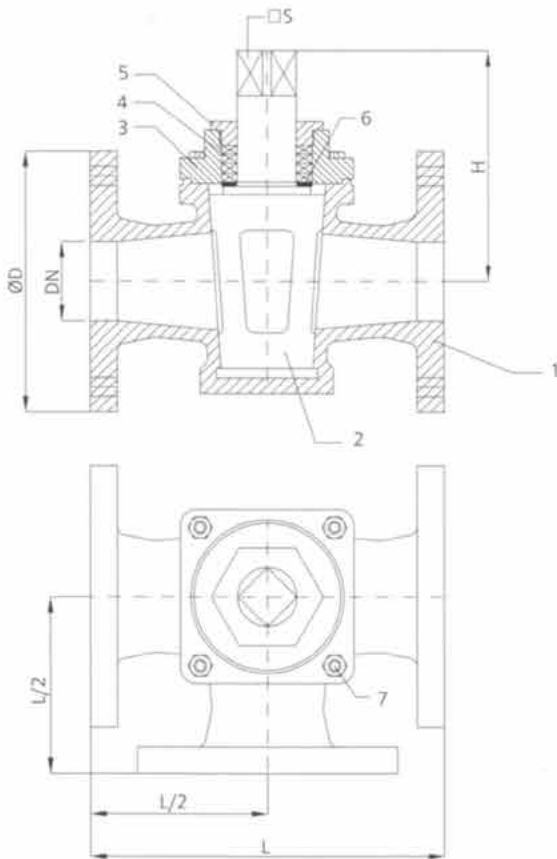


Fig. 1 (3 Way Type)

No.	Part Name	Bronze (Rg5)
1	Body	G-CuSn5ZnPb
2	Plug of cock	G-CuSn5ZnPb
3	Bonnet	G-CuSn5ZnPb
4	Packing	Graphite
5	Gland	G-CuSn5ZnPb
6	Washer	G-CuSn5ZnPb
7	Stud,Nut	St. Steel
OP.	Cock Wrench	GGG 40.3

* Application : Sea water from more than 40 °C up to 90 °C

* On request : With cock wrench

* For the 3 Way cocks kindly indicate whether the plug has a L- or T- port



L-Port (Fig. 1-L)



T-Port (Fig. 1-T)

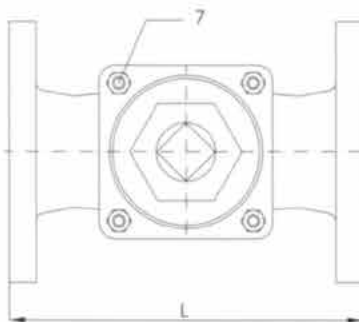
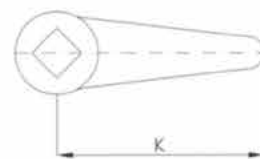


Fig. 2 (2 Way Type)



Cock Wrench

PN	DN	15	20	25	32	40	50	65
10	ØD	95	105	115	140	150	165	185
	L	130	150	160	180	200	230	290
	L/2	65	75	80	90	100	115	145
	H	90	95	95	122	122	145	205
	ØS	14	17	19	22	27	32	41
	K	120	135	150	170	200	240	290
KG Fig. 1		5	7	7,6	13,4	14	19,6	29
KG Fig. 2		4	5,6	6	11	11,5	15,6	22